

EURO-SEEDER T330 CE « TITAN »



EURO-SEEDER T330
CE "TITAN"

PRODUCT DESCRIPTION
FINN - the inventor of the Hydroseeder - is the world leader for over 80 years now in manufacturing these specialized machines that provide those Business Professionals anxious to intervene in the hydroseeding and hydromulching sector with power, efficiency and professionalism with the right equipment.

In order to choose the machine that's right for you and to learn more about this fascinating business, please visit the 'European Hydroseeding Guide' (currently only available in French) on our site www.euro-tec.fr.

SPECIFICATIONS & PERFORMANCE

Tank Capacity	12 700 litre
Engine	CUMMINS QSB (4.5L) Turbo Diesel Tier III, 170 HP
Mixing system	Double Agitator, Mechanical Agitation with paddles, hydraulically powered, reversible, variable speed
Pump	VORTEX pump, 6" x 3" (15.2 cm x 7.6 cm), 500 GPM@175 psi (1 900 lpm @ 1 206 kPa)
Weight	5 600 Kg empty / 20 000 Kg loaded
Dimensions	658 cm length, 231 cm width, 247 cm height
Available Options	<ul style="list-style-type: none"> - Hydraulic hose reel mounted on 3 Position Pivoting Cradle - Additional Boom for 2nd operator - Extra set of Ground Level Controls - Pump Spacer Set for hydro-sprigging - Additional Agitator - Remote Control - RAL paint to match your company colour
Spraying Distance	97.5 metres from canon
Tank empty time	7 minutes with the canon
Mixing capacity	4 500 Kg granular (fertilizer) / 680 Kg Fibre Material (Mulch)
Daily Production Capacity	70 000 m ² Hydroseeding / 17 500 m ² Hydromulching

TECHNICAL ASSISTANCE / AFTER SALES SERVICE

FINN
CORPORATION

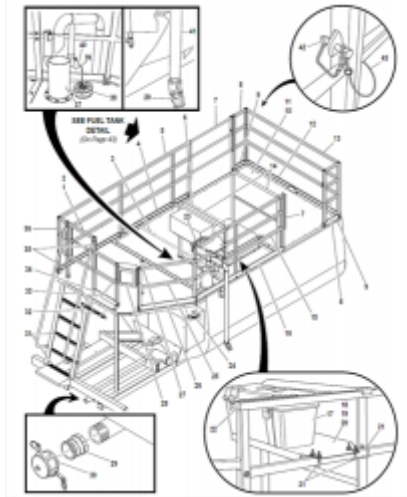
8281 LeSaint Drive • Fairfield, Ohio 45014
Phone (513) 874-2819 • Fax (513) 874-2914
Parts Dept.: 1-800-228-8797
Sales: 1-800-543-7199



T280/330 HydroSeeder®
Parts and Operator's Manual

Model: **SM** Serial No. _____

12/2014 Rev. 4



The User Manual with its exploded machine and parts view allows for optimum and quick reaction whenever needed, making use of an important spare part stock FINN Europe based in the Lyon (France) area. A technician on the hot-line can thus identify the issue, send spare parts or decide on eventual on-site support and repair.

CE COMPLIANCE

This Equipment complies to the current European regulations and is delivered with its CE Certificate and Compliance Plate.