

EURO-SEEDER T60 CE SKID



EURO-SEEDER T60 CE SKID

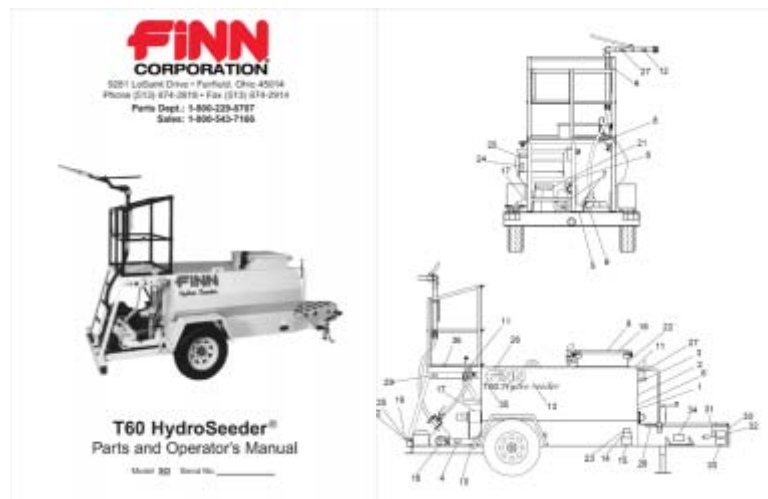
PRODUCT DESCRIPTION
FINN - the inventor of the Hydroseeder - is the world leader for over 80 years now in manufacturing these specialized machines that provide those Businesses anxious to intervene in the hydroseeding and hydromulching sector with power, efficiency and professionalism with the right equipment.

In order to choose the machine that's right for you and to learn more about this fascinating business, please visit the 'European Hydroseeding Guide' (currently only available in French) on our site www.euro-tec.fr

SPECIFICATIONS & PERFORMANCE

Tank Capacity	2 300 litre
Engine	KOHLER COMMAND 23.5 Hp (17.5 Kw)
Mixing system	Mechanical Agitation with paddles, hydraulically powered, reversible, variable speed
Pump	FINN Centrifugal pump, 3" x 1/2" (7.5 cm x 3.75 cm), 65 GPM@75 psi (245 lpm @ 5.3kg/cm ²), adjustable
Weight	990 Kg empty/3 250 Kg loaded
Dimensions	340 cm length, 175 cm width, 244 cm height
Available Options	<ul style="list-style-type: none"> - Operator platform with boom/canon - Electrical hose reel with 45 lm 1 1/4" hose - RAL paint to match your company colour - Suction line Valve (between tank and pump)
Spraying Distance	27 metres from canon
Tank empty time	10 minutes using the hose
Mixing capacity	700 Kg granular (fertilizer) / 110 Kg Fibre Material (Mulch)
Daily Production Capacity	11 000 m ² Hydroseeding / 3 500 m ² Hydromulching

TECHNICAL ASSISTANCE / AFTER SALES SERVICE



The User Manual with its exploded machine and parts view allows for optimum and quick reaction whenever needed, making use of an important spare part stock FINN Europe based in the Lyon (France) area. A technician on the hot-line can thus identify the issue, send spare parts or decide on eventual on-site support and repair.

CE COMPLIANCE



Euro-Tec

17, rue Hector Berlioz
69100 Villeurbanne - France
E-mail : euro-tec@euro-tec.fr
Tél. +33 (0)4 37 47 20 20

Type	<input type="text"/>
N° de série Serial number	<input type="text"/>
Année Year	<input type="text"/>
Masse totale Weight	<input type="text"/>
Puissance Power	<input type="text"/>

This Equipment complies to the current European regulations and is delivered with its CE Certificate and Compliance Plate.